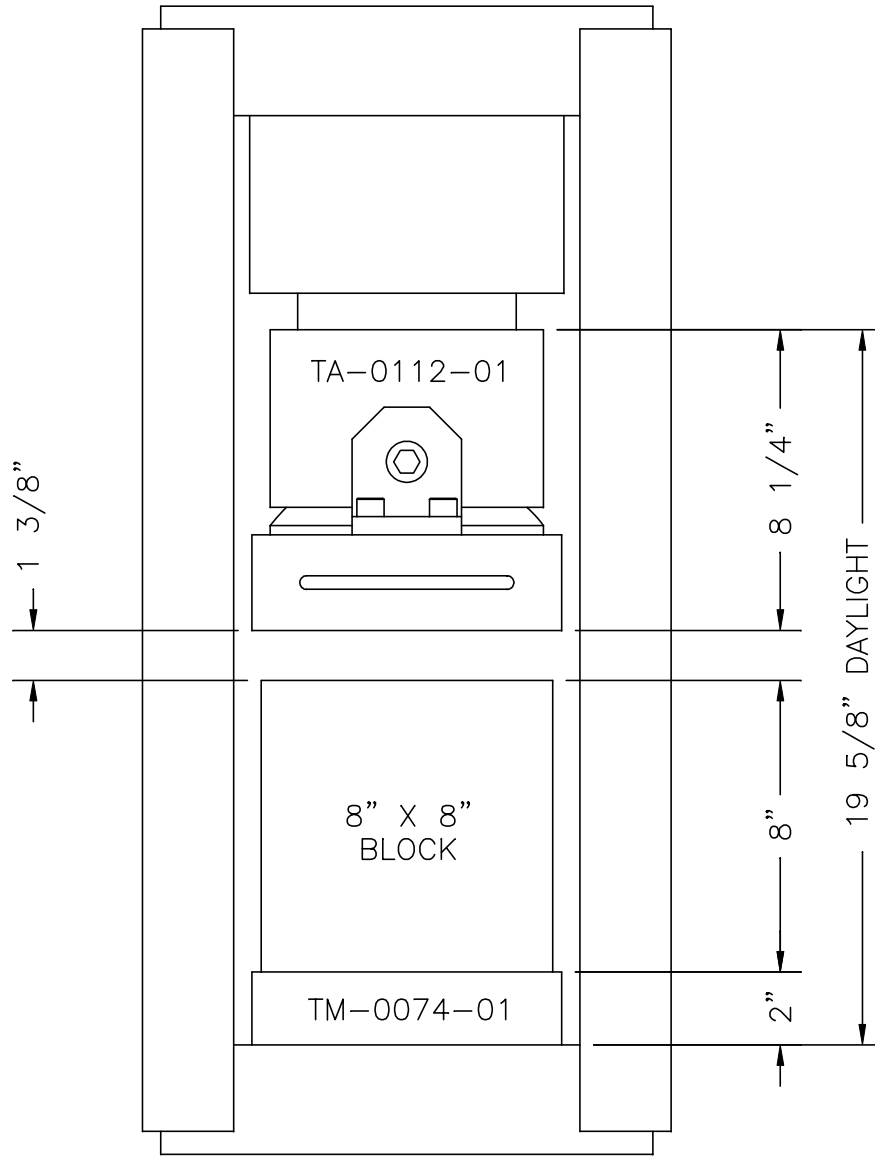




F-250 LOAD FRAME



(TAG-0022)
MEETS ASTM C140

COMPRESSION OF 8" X 8" BLOCK ARRANGEMENT