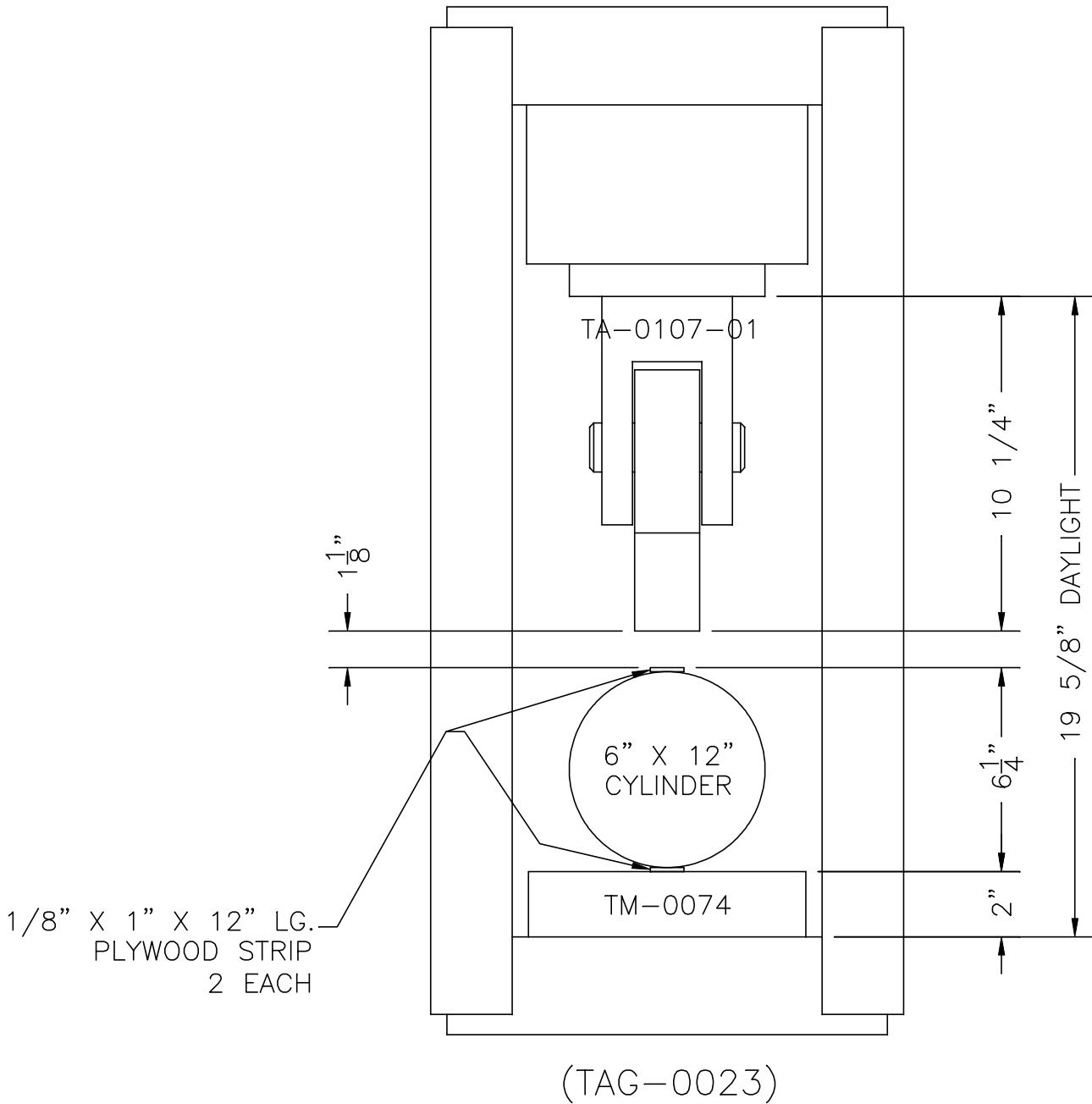




# F-250 LOAD FRAME



# 6" X 12" CYLINDER SPLITTING ARRANGEMENT