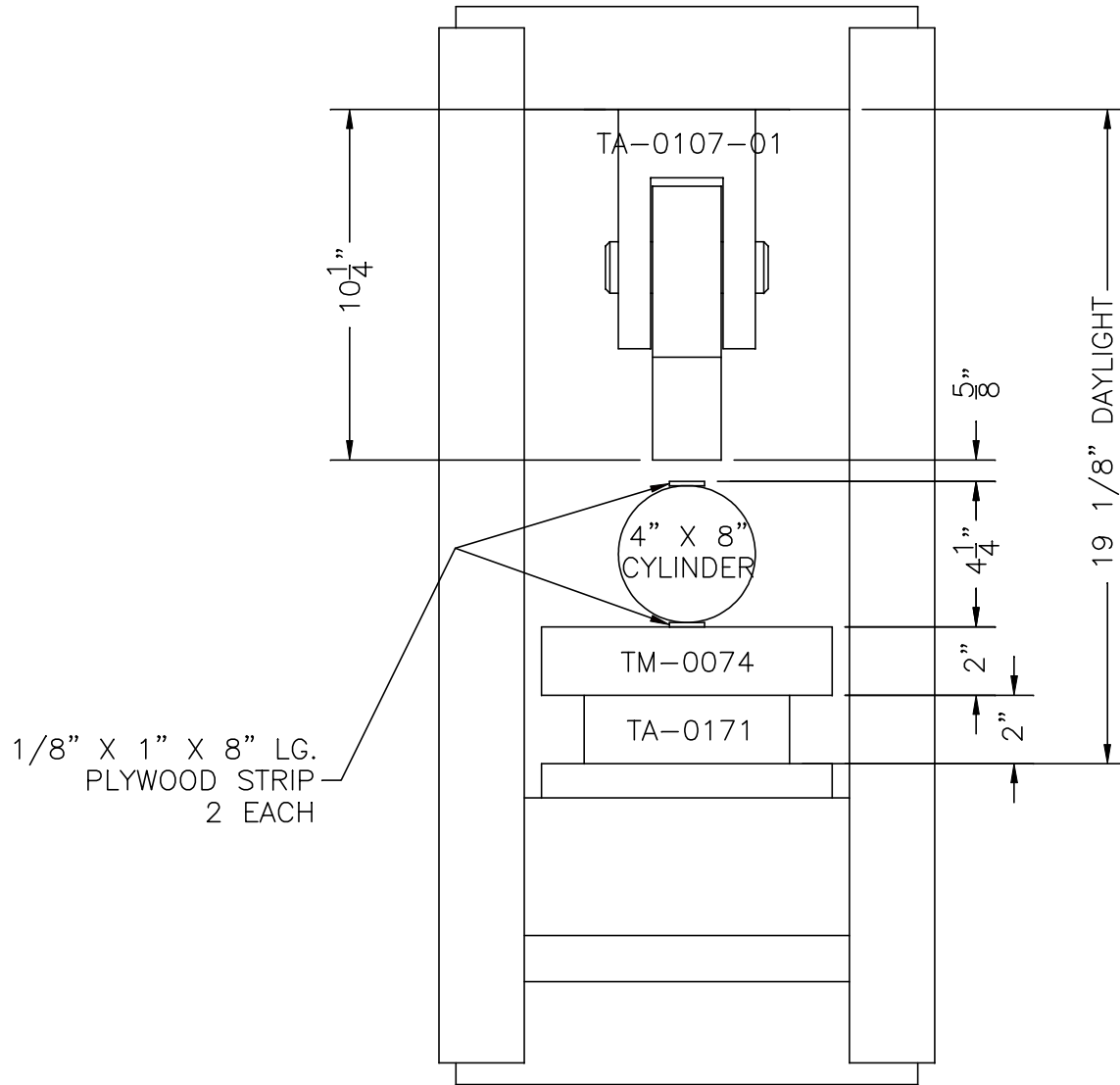




F-650 LOAD FRAME



TM-2035 CENTERING STUD REQUIRED (NOT SHOWN)

4" X 8" CYLINDER SPLITTING ARRANGEMENT